



CSA-450

Fully automatic, auto-tracking marine Satellite antenna

Instruction Manual

Rev. 1.1



**Thank you for purchasing this product.
Please read this instruction manual carefully before installing
and operating this antenna.**

**Please write down the serial number of this antenna below.
In case of queries please inform us of this number:**

Serial No: _____

1. Introduction

The Camos CSA-450 enables reception on the move of the major European satellites including ASTRA 1, ASTRA 2, HOTBIRD, ATLANTIK BIRD3, HISPASAT and SIRIUS. If you want to watch TV or download data from the Internet via satellite, even when your boat is moving, here's the equipment you need. The sat-dome is compact in size, light in weight and reliable in operation. The system is incredibly simple to install, there's just one co-ax cable to run between the dome and the controller.

2. Supplied standard equipment

1. Satellite dome antenna CSA-450
2. Control box including power cable
3. Co-ax cable (10m) with F-plug on both ends
4. Co-ax cable (1m, black) with F-plug on both ends

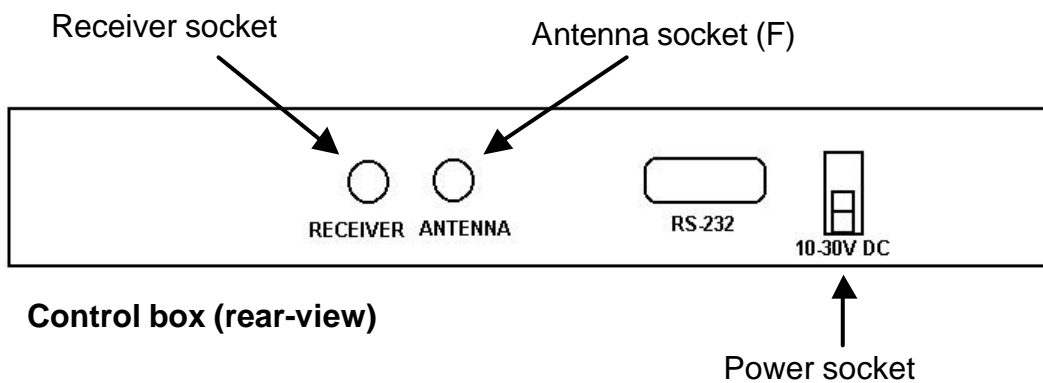
3. Not included, but also required

1. Satellite receiver unit, either Sky Digi-box or Free-To-Air Receiver such as the Maxview MXL-140
2. Television!
3. Scart cable to connect Receiver to Television.

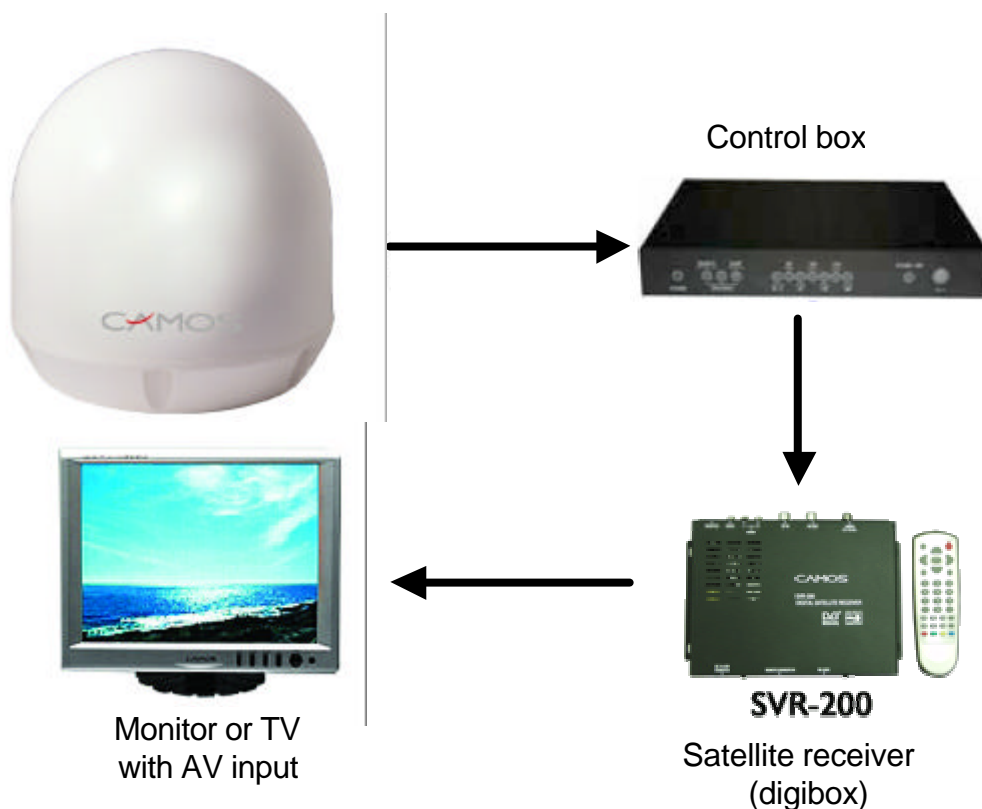
4. Installing your antenna

We recommend installing the CSA-450 with the help of your professional dealer/workshop.

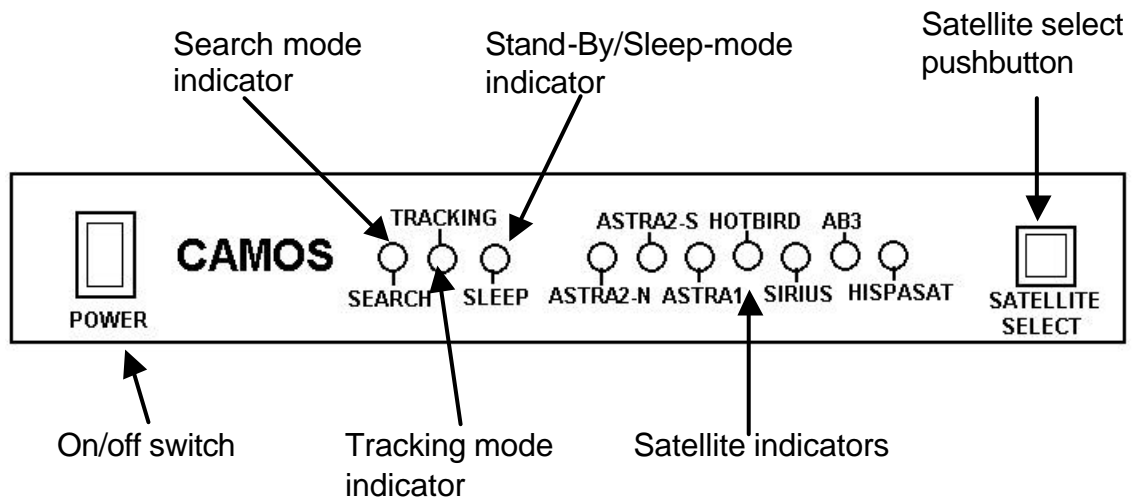
1. Mount the antenna in the selected location.
2. The mounting location must be even and there should be no obstructions which may interfere with reception of the satellite signal.
3. Mark the outline of the antenna's bolts with a suitable pen.
4. Drill the mounting holes and fix the antenna with the supplied bolts
5. Remove dome, then locate and remove the two transit security screws.
6. Install the cables carefully to avoid kinks or chafing.
7. Connect the antenna to the control box using the 10mtr long white coax cable.
8. Connect the power cable (red/black) to the control box and power source. The power source can be between 10V & 30V D.C.
Positive terminal (+) = red colour
Negative terminal (-) = black colour



7. Install your satellite receiver according to its user manual and connect it to the socket marked RECEIVER on the back of the control box via the short, black co-ax cable.



5. Starting up



1. Switch on your satellite receiver and monitor/TV.
2. Switch on the Camos control box.
3. The antenna will then go in to search mode and after a few seconds will, find the default satellite.

6. Operating the antenna

1. Selecting a satellite / Search mode

Push the "SATELLITE SELECT" button several times until the desired satellite indicator lights up.

ASTRA 2-N Select this position when you are in the northern part of ASTRA2 footprint.

ASTRA 2-S Select this position when you are in the southern part of ASTRA2 footprint.

ASTRA 1 Select this position for Astra 1

HOTBIRD Select this position for Hotbird

SIRIUS Select this position for Sirius

ATLANTIC BIRD3 Select this position for ATLANTIK BIRD3

HISPASAT Select this position for HISPASAT

Now the antenna starts searching and the indicator for the search mode (SEARCH) lights up.

2. Tracking mode

When the antenna has found the selected satellite, the satellite indicator goes out for 1 second and lights up again. Now the satellite is logged in and the tracking indicator (TRACKING) lights up.

The antenna may stop and lock onto a different satellite (depending on your position, signal strength and weather conditions). In this case the indicator of the different satellite lights up for a second and goes out again. The antenna will recognise that it has found the wrong satellite and will move on to the correct satellite.

The controller will remember which satellite it last found and will always look for that one when it is switched on again.

Now you can enjoy TV.

3. Standby / Sleep mode

When your boat does not move (antenna keeps position) you can manually activate the standby / sleep mode:

After logging in (TRACKING mode indicator lights up) push the "SATELLITE SELECT" button once. Now the SLEEP mode indicator lights up in addition and the antenna stops moving.

If the antenna position is changed (boat starts moving again) the antenna automatically starts the tracking mode (TRACKING) or search mode (SEARCH), depending on how much the antenna position has changed.

You can deactivate the SLEEP mode by pushing the "SATELLITE SELECT" button once again.

If you completely switch off the antenna (e.g. overnight) the antenna will go to search mode again after switching on the next day.

6. Troubleshooting

No reception / no picture:

- a) Any obstacles (big ships, buildings etc) between antenna and satellite?
Choose a different position with a clear line of sight to the satellite.
- b) Correct installation of antenna cables? Defective cables (broken)?
Please check the cables.
- c) Have you select the right satellite? Please check whether the satellite you have selected on your receiver corresponds with the satellite you have selected on the control box.
- d) Did you switch on both the control box and satellite receiver?
- e) Power supply ok? Please check power cable(s).

If you want to use a different cable (from antenna to control box):

Only use high quality. low loss co-ax cable. The F-plugs must be high quality types as well, because as well as the RF signal, the power supply voltage for the antenna passes down this cable. Even small losses may have an effect on reception.

We strongly advise to use the supplied cables.

7. Technical Data

Frequency range:	10.7 to 12.75 GHz
LNB-Type:	universal
Polarisation:	horizontal and vertical
Gain:	32dBi
Full elevation range:	5° - 90°
Azimuth turn range:	not limited
Power supply:	10 - 30V / 3A max.
Operating temperature:	-22°C to +55°C
Radome Diameter:	55cm
Radome Height:	58cm
Tracking rate:	max. 50° per second
Weight (without control box):	appr. 15kg

UK Importer/Distributor

KM Electronics Ltd
Brooke Business Park
Heath Road
Lowestoft
NR33 9LZ

Tel – 01502 569079
Fax – 01502 569148
sales@kmelectronics.co.uk
www.camos.co.uk